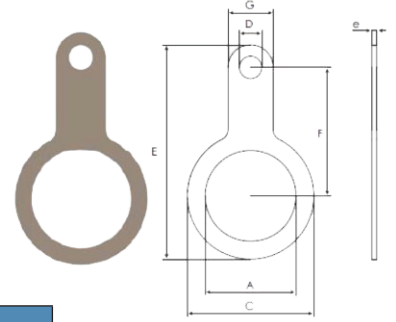


## Aksesuarlar

### Topraklama Etiketi

|                |                            |
|----------------|----------------------------|
| <b>Malzeme</b> | Pirinç veya Nikelaj Pirinç |
|----------------|----------------------------|

| Malzeme | Rakor Tipi | Kod Örneği |
|---------|------------|------------|
| BR      | RSU        | IEM20S1BR  |
| NI      | RSA        |            |
| Pirinç  | RDA        |            |



| Type       | Kod       | Boyutlar (Dig. -8) |         |        |         |         |        |        |        |
|------------|-----------|--------------------|---------|--------|---------|---------|--------|--------|--------|
|            |           | Kaplanmamış        | AØ (mm) | e (mm) | CØ (mm) | DØ (mm) | E (mm) | F (mm) | G (mm) |
| M20        | IEM20S1BR |                    | 20.2    | 1.0    | 28.6    | 6.2     | 53.6   | 33.0   | 12.5   |
| M25        | IEM25S1BR |                    | 25.2    | 1.0    | 34.0    | 6.2     | 59.5   | 36.0   | 13.0   |
| M32        | IEM32S1BR |                    | 32.2    | 1.0    | 42.0    | 12.2    | 73.0   | 41.0   | 22.0   |
| M40        | IEM40S1BR |                    | 40.2    | 1.0    | 54.0    | 14.2    | 86.5   | 46.5   | 26.0   |
| M50        | IEM50S1BR |                    | 50.2    | 1.0    | 67.0    | 14.2    | 111.5  | 63.5   | 29.0   |
| M63        | IEM63S1BR |                    | 63.2    | 1.0    | 77.0    | 14.2    | 125.5  | 72.5   | 29.0   |
| M75        | IEM75S1BR |                    | 75.2    | 1.0    | 89.0    | 14.2    | 137.5  | 77.0   | 32.0   |
| M90        | IEM90S1BR |                    | 90.2    | 1.0    | 109.5   | 14.2    | 167.0  | 94.5   | 35.5   |
| NPT 1/4"   | IEN14S1BR |                    | 13.5    | 1.0    | 22.0    | 6.2     | 46.0   | 30.0   | 12.0   |
| NPT 3/8"   | IEN38S1BR |                    | 17.4    | 1.0    | 25.0    | 6.2     | 48.8   | 30.0   | 12.5   |
| NPT 1/2"   | IEN12S1BR |                    | 21.7    | 1.0    | 28.6    | 6.2     | 53.6   | 33.0   | 12.5   |
| NPT 3/4"   | IEN34S1BR |                    | 26.9    | 1.0    | 34.0    | 6.2     | 59.5   | 36.0   | 13.0   |
| NPT 1"     | IEN01S1BR |                    | 33.6    | 1.0    | 42.0    | 12.2    | 73.0   | 41.0   | 22.0   |
| NPT 1 1/4" | IEN1141BR |                    | 42.4    | 1.0    | 54.0    | 14.2    | 86.5   | 46.5   | 26.0   |
| NPT 1 1/2" | IEN1121BR |                    | 48.5    | 1.0    | 67.0    | 14.2    | 111.5  | 63.5   | 29.0   |
| NPT 2"     | IEN02S1BR |                    | 60.5    | 1.0    | 77.0    | 14.2    | 125.5  | 72.5   | 29.0   |

### Polimit Rondela & Fiber

|                |                 |
|----------------|-----------------|
| <b>Malzeme</b> | Polimit (6(PA)) |
|----------------|-----------------|

| Malzeme | Kod Örneği |
|---------|------------|
| Polimit | IWM20S1PA  |

| Ölçü | Kod       | Boyutlar |        |        |
|------|-----------|----------|--------|--------|
|      |           | S (mm)   | D (mm) | d (mm) |
| M20  | IWM20S1PA | 2.0      | 23.8   | 20.0   |
| M25  | IWM25S1PA | 2.0      | 32.2   | 25.0   |
| M32  | IWM32S1PA | 2.0      | 39.6   | 32.0   |
| M40  | IWM40S1PA | 2.0      | 49.6   | 40.0   |
| M50  | IWM50S1PA | 2.0      | 62.0   | 50.0   |
| M63  | IWM63S1PA | 2.0      | 78.4   | 63.0   |
| M75  | IWM75S1PA | 2.0      | 93.4   | 75.0   |
| M90  | IWM90S1PA | 2.0      | 112.0  | 90.0   |
| M110 | IWM1101PA | 2.0      | 124.6  | 110.0  |



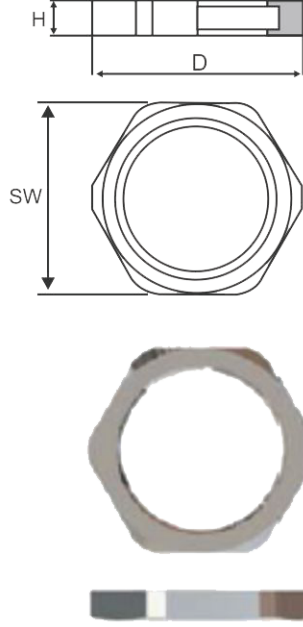
## Aksesuarlar

### Kilitleme Somunları

| Malzeme | Pirinç veya Nikelaj Pirinç |
|---------|----------------------------|
|---------|----------------------------|

| Ölçü            | Malzeme |                   |                    |           | Kod Örneği |
|-----------------|---------|-------------------|--------------------|-----------|------------|
| XXXX            | BR      | NI                | SS                 | Al        | ILM16S1BR  |
| Metrik:<br>MXXX | Pirinç  | Nikelaj<br>Pirinç | Paslanmaz<br>Çelik | Alüminyum |            |

| Dış Tipi | Kod       | Metal                 |         |            |
|----------|-----------|-----------------------|---------|------------|
|          |           | Kablo Rakoru Ölçüleri |         |            |
|          |           | H min (mm)            | SW (mm) | D min (mm) |
| M16x1.5  | ILM16S1BR | 3.0                   | 19.0    | 21.0       |
| M20x1.5  | ILM20S1BR | 3.0                   | 24.0    | 26.5       |
| M25x1.5  | ILM25S1BR | 3.0                   | 30.0    | 33.0       |
| M32x1.5  | ILM32S1BR | 3.5                   | 35.0    | 38.5       |
| M40x1.5  | ILM40S1BR | 3.5                   | 45.0    | 50.0       |
| M50x1.5  | ILM50S1BR | 4.0                   | 55.0    | 60.0       |
| M63x1.5  | ILM63S1BR | 5.0                   | 70.0    | 77.0       |
| M75x1.5  | ILM75S1BR | 5.0                   | 85.0    | 93.0       |
| M90x1.5  | ILM90S1BR | 0.0                   | 100.0   | 110.0      |

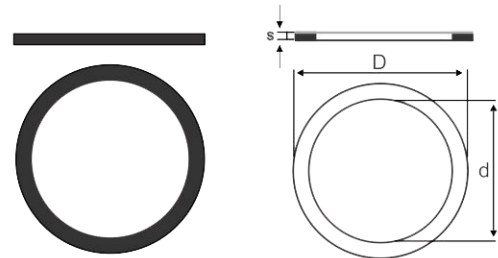


### Contalar

| Malzeme | Nitril -20°C + 20°C   |
|---------|-----------------------|
|         | Silikon -60°C + 180°C |

| Malzeme   |         | Kod Örneği |
|-----------|---------|------------|
| C         | SI      | IGM20S1C   |
| Kloropren | Silikon |            |

| Ölçü | Kod       | Boyutlar |        |        |
|------|-----------|----------|--------|--------|
|      |           | S (mm)   | D (mm) | d (mm) |
| M16  | IGM16S1C  | 1.5      | 21.5   | 15.5   |
| M20  | IGM20S1C  | 1.5      | 26.0   | 18.5   |
| M25  | IGM25S1C  | 1.5      | 31.5   | 23.3   |
| M32  | IGM32S1C  | 1.5      | 38.5   | 30.5   |
| M40  | IGM40S1C  | 1.5      | 48.5   | 38.5   |
| M50  | IGM50S1C  | 1.5      | 58.0   | 48.0   |
| M63  | IGM63S1C  | 1.5      | 70.0   | 61.2   |
| M75  | IGM75S1C  | 1.5      | 86.0   | 74.5   |
| M90  | IGM90S1C  | 1.5      | 102.0  | 89.5   |
| M110 | IGM110S1C | 1.5      | 123.0  | 109.5  |



## Aksesuarlar

### Kapaklar

|         |         |
|---------|---------|
| Malzeme | PVC/LSF |
|---------|---------|

| Ölçü    | Malzeme | Gland Type | Kod Örneği |
|---------|---------|------------|------------|
| XXXX    | P/L     | RSU        | ISM16S1P   |
| Metrik: | PVC/LSF | RSA        |            |
| MXXX    |         | RDA        |            |

| RDA                  |          |       | RSA                  |          |       | RSU                  |          |       |
|----------------------|----------|-------|----------------------|----------|-------|----------------------|----------|-------|
| Kod                  | Boyutlar |       | Kod                  | Boyutlar |       | Kod                  | Boyutlar |       |
|                      | Ø D mm   | H mm  |                      | Ø D mm   | H mm  |                      | Ø D mm   | H mm  |
| EISM20S1P(3.0-8.5)   | 26.5     | 67.0  | CISM20S1P(3.0-8.5)   | 26.5     | 45.0  | AISM20S1P(3.0-12.0)  | 24.5     | 56.1  |
| EISM20S2P(6.0-12.0)  | 26.5     | 68.0  | CISM20S2P(6.0-12.0)  | 26.5     | 45.0  | AISM20S2P(10.0-18.0) | 35.5     | 67.5  |
| EISM20S3P(8.5-14.5)  | 33.0     | 76.6  | CISM20S3P(8.5-14.5)  | 33.0     | 48.0  | AISM25S1P(10.0-18.0) | 36.0     | 67.5  |
| EISM25S1P(6.0-12.0)  | 41.5     | 68.0  | CISM25S1P(6.0-12.0)  | 41.5     | 60.0  | AISM32S1P(14.0-24.0) | 44.5     | 72.6  |
| EISM25S2P(8.5-16.0)  | 41.5     | 78.6  | CISM25S2P(8.5-16.0)  | 41.5     | 60.0  | AISM40S1P(22.0-32.0) | 53.0     | 91.7  |
| EISM32S1P(12.0-20.0) | 50.5     | 81.6  | CISM32S1P(12.0-20.0) | 50.5     | 60.0  | AISM50S1P(26.0-35.0) | 60.0     | 88.0  |
| EISM40S1P(12.0-20.0) | 60.0     | 81.6  | CISM40S1P(12.0-20.0) | 60.0     | 66.0  | AISM50S2P(35.0-44.0) | 65.1     | 93.9  |
| EISM50S1P(22.0-35.0) | 66.0     | 132.6 | CISM50S1P(22.0-35.0) | 66.0     | 66.0  | AISM63S1P(35.0-45.0) | 72.9     | 95.5  |
| EISM50S2P(27.0-41.0) | 75.0     | 132.6 | CISM50S2P(27.0-41.0) | 75.0     | 70.0  | AISM63S2P(46.0-56.0) | 78.0     | 100.8 |
| EISM63S1P(35.0-45.0) | 82.0     | 148.0 | CISM63S1P(35.0-45.0) | 82.0     | 77.0  | AISM75S1P(46.0-62.0) | 87.0     | 100.8 |
| EISM63S2P(40.0-52.0) | 86.0     | 143.8 | CISM63S2P(40.0-52.0) | 86.0     | 72.0  | AISM75S1P(46.0-62.0) | 92.0     | 100.8 |
| EISM75S1P(40.0-52.0) | 98.0     | 143.8 | CISM75S1P(40.0-52.0) | 98.0     | 82.0  | AISM75S1P(46.0-62.0) | 118.0    | 100.8 |
| EISM75S2P(40.0-52.0) | 106.0    | 143.8 | CISM75S2P(40.0-52.0) | 106.0    | 88.0  |                      |          |       |
| EISM90S1P(45.0-60.0) | 125.0    | 182.7 | CISM90S1P(45.0-60.0) | 125.0    | 110.0 |                      |          |       |

