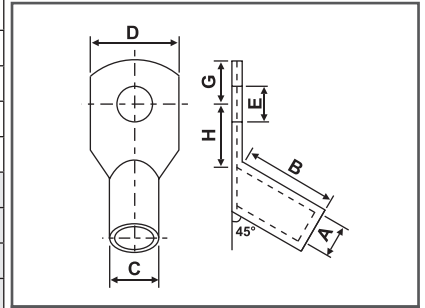


Tüp Şeklinde Kablo Pabuçları – 45° Açı

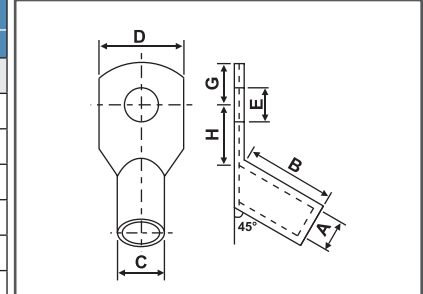
Ürün Kodu	Kablo Size mm ²	Stud Ø mm	Boyutlar mm						
			A	B	D	E	C	G	H
RLAF - 6- 4	6	M4	3.8	9	9.5	4.2	5.5	4	7
RLAF - 6- 5	6	M5	3.8	9	9.5	5.2	5.5	4	7
RLAF - 6- 6	6	M6	3.8	9	10	6.2	5.5	5	9
RLAF - 6- 8	6	M8	3.8	9	12	8.4	5.5	7	11
RLAF - 6- 10	6	M10	3.8	9	16	10.5	5.5	10	13
RLAF - 6- 12	6	M12	3.8	9	18	13	6.5	12	17
RLAF - 10- 5	10	M5	4.5	10	12	5.2	6.2	6	10
RLAF - 10- 6	10	M6	4.5	10	12	6.5	6.2	6	10
RLAF - 10- 8	10	M8	4.5	10	12	8.4	6.2	7	12
RLAF - 10- 10	10	M10	4.7	10	16	10.5	7.1	10	13
RLAF - 10- 12	10	M12	4.7	10	18	13	7.1	12	18
RLAF - 16- 5	16	M5	5.4	13	12	5.2	7.1	7	10
RLAF - 16- 6	16	M6	5.4	13	12	6.5	7.1	7	10
RLAF - 16- 8	16	M8	5.4	13	12	8.4	7.1	7	12
RLAF - 16- 10	16	M10	5.5	13	16	10.5	7.9	10	13
RLAF - 16- 12	16	M12	5.5	13	18	13	7.9	12	18
RLAF - 16- 14	16	M14	5.5	13	21	15	7.9	14	20
RLAF - 16- 16	16	M16	5.5	13	26	17	7.9	16	21
RLAF - 25- 5	25	M5	6.8	14	13	5.2	8.8	7	10
RLAF - 25- 6	25	M6	6.8	14	13	6.5	8.8	7	10
RLAF - 25- 8	25	M8	6.8	14	13	8.4	8.8	7	12
RLAF - 25- 10	25	M10	6.8	14	16	10.5	8.8	10	13
RLAF - 25- 12	25	M12	6.8	14	18	13	8.8	12	18
RLAF - 25- 14	25	M14	7.1	14	21	15	9.5	12	18
RLAF - 25- 16	25	M16	7.1	14	26	17	9.5	16	21
RLAF - 35- 6	35	M6	8.2	16	15	6.5	10.6	9	12
RLAF - 35- 8	35	M8	8.2	16	15	8.4	10.6	9	12
RLAF - 35- 10	35	M10	8.2	16	18	10.5	10.6	10	13
RLAF - 35- 12	35	M12	8.2	16	21	13	10.6	12	18
RLAF - 35- 14	35	M14	8.4	16	21	15	11.5	14	20
RLAF - 35- 16	35	M16	8.4	16	26	17	11.5	16	21
RLAF - 50- 6	50	M6	9.5	18	18	6.5	12.4	10	13
RLAF - 50- 8	50	M8	9.5	18	18	8.4	12.4	10	13
RLAF - 50- 10	50	M10	9.5	18	18	10.5	12.4	10	13
RLAF - 50- 12	50	M12	9.5	18	23	13	12.4	12	18
RLAF - 50- 14	50	M14	9.5	18	23	15	12.4	14	20
RLAF - 50- 16	50	M16	9.5	18	28	17	12.4	16	21
RLAF - 50- 20	50	M20	9.5	18	30	21	12.4	19	24
RLAF - 70- 6	70	M6	11.2	20	21	6.5	14.7	10	13
RLAF - 70- 8	70	M8		20	21	8.4		10	13
RLAF - 70- 10	70	M10		20	21	10.5		10	17
RLAF - 70- 12	70	M12		20	21	13		12	17
RLAF - 70- 14	70	M14	11.5	20	23	15	16.5	14	20
RLAF - 70- 16	70	M16	11.5	20	28	17	16.5	16	21
RLAF - 70- 20	70	M20	11.5	20	30	21	16.5	19	24
RLAF - 95- 8	95	M8	13.5	24	25	8.4	17.4	12	17
RLAF - 95- 10	95	M10		24	25	10.5	17.4	12	17
RLAF - 95- 12	95	M12		24	25	13	17.4	12	17
RLAF - 95- 14	95	M14	13.5	24	26	15	19	14	20
RLAF - 95- 16	95	M16	13.5	24	28	17	19	16	21



Elektrolitik yüksek iletken bakır
Elektro kalay kaplı

Tüp Şeklinde Kablo Pabuçları – 45° Açı Devamı.....

Ürün Kodu	Kablo mm ²	Stud 0 mm	Boyutlar						
			A	B	D	E	C	G	H
RLAF 95-20	95	M20	13.5	24	36	21	19	20	27
RLAF 120-8	120	M8	15	24	28	8.4	19.4	14	19
RLAF 120-10	120	M10		24	28	10.5		14	19
RLAF 120-12	120	M12		25	28	13		14	19
RLAF 120-14	120	M14		25	28	15		16	21
RLAF 120-16	120	M16		25	28	17		16	21
RLAF 120-20	120	M20	15.5	25	36	21	21	20	27
RLAF 150-8	150	M8	16.5	29	30	8.4	21.2	14	19
RLAF 150-10	150	M10		29	30	10.5		14	19
RLAF 150-12	150	M12		29	30	13		14	19
RLAF 150-14	150	M14		29	30	15		14	19
RLAF 150-16	150	M16		29	30	17		16	21
RLAF 150-20	150	M20		29	36	21		20	27
RLAF 185-10	185	M10	18.5	30	34	10.5	23.5	17	22
RLAF 185-12	185	M12		30	34	13		17	22
RLAF 185-14	185	M14		30	34	15		17	22
RLAF 185-16	185	M16		30	34	17		17	22
RLAF 185-20	185	M20		30	34	21		20	27
RLAF 240-10	240	M10	21	35	38	10.5	26.5	20	25
RLAF 240-12	240	M12		35	38	13		20	25
RLAF 240-14	240	M14		35	38	15		20	25
RLAF 240-16	240	M16		35	38	17		20	25
RLAF 240-20	240	M20		35	38	21		20	27
RLAF 300-12	300	M12	23.5	42	43	13	30	22	27
RLAF 300-14	300	M14		42	43	15		22	27
RLAF 300-16	300	M16		42	43	17		22	27
RLAF 300-20	300	M20		42	43	21		22	27
RLAF 400-12	400	M12		44	50	13	34.8	24	29
RLAF 400-14	400	M14	26.8	44	50	15		24	29
RLAF 400-16	400	M16		44	50	17		24	29
RLAF 400-120	400	M20		44	50	21		24	29
RLAF 400-B	400	-		44	50	-		24	29



Elektrolitik yüksek iletken bakır
Elektro kalay kaplı